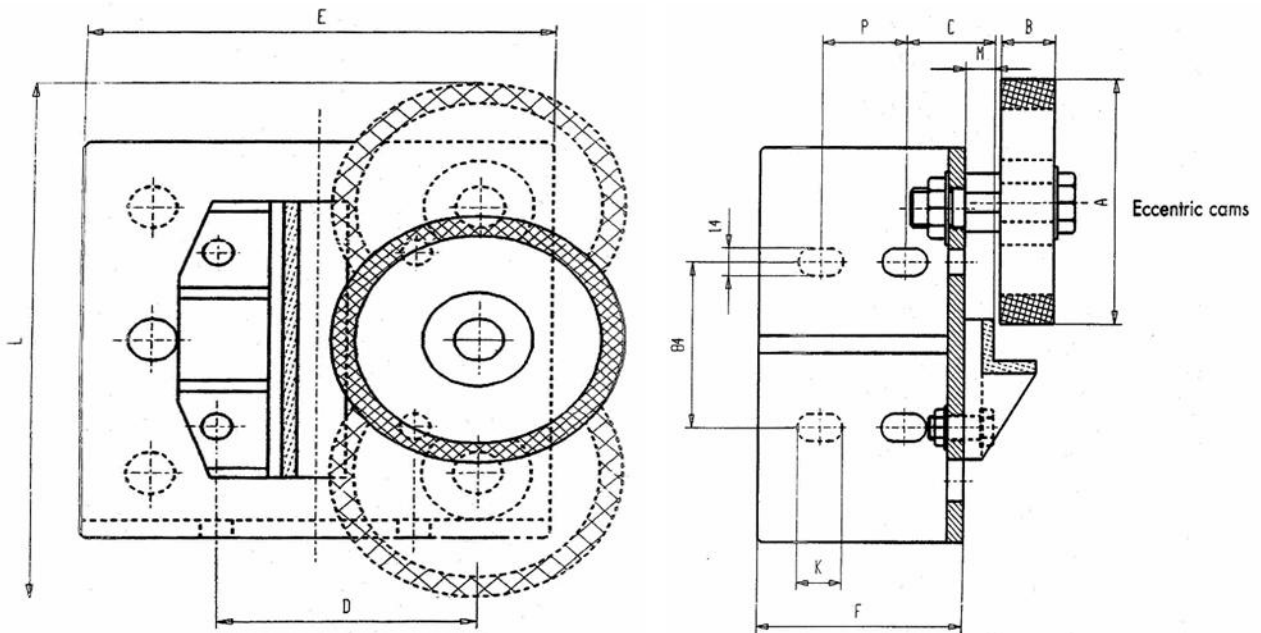
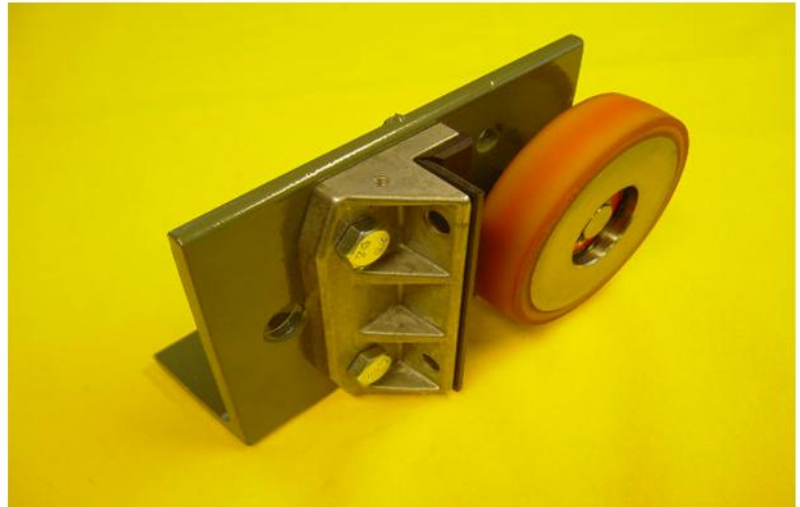


RS



type	art.-no.	roller [pcs]	[mm]										VU-coating [° Shore A]	max capacity ^{***)} [N]
			A	B	C	D	E	F	K	L	M	P		
RS I roller guide for L-frame														
RS 1	300 070	1	125	30	50	111	200	75	35	150	16,5	-	93	2.800
RS 3	300 072	1	100	40	50	98,5	200	75	35	150	16,5	-	93	3.300
RS 4	300 073	1	125	40	50	111	200	75	35	150	16,5	-	93	3.750
RS 5	300 074	1	150	40	50	123,5	220	75	35	150	16,5	-	93	4.900
RS 7	300 076	1	150	40	50	123,5	220	75	35	150	16,5	-	96	6.400
RS II roller guide for L-frame														
RS 2	300 071	2	125	30	50	111	200	115	25	260±4 ^{*)}	16,5	47	93	5.800
RS 6	300 075	2	125	40	50	111	200	115	25	260±4 ^{*)}	16,5	47	93	7.500
RS 8	300 077	2	125	40	50	111	200	115	25	260±4 ^{*)}	16,5	47	96	9.800

*) according to adjustment of the eccentric pin

**) load at 1 m/s; at higher speed reduced load carrying ability

Our roller guides are designed for guide rails up to 16 mm width – for other guide rail widths upon request
 Datas should only give you basic informations, however there is no legally binding on these datas.